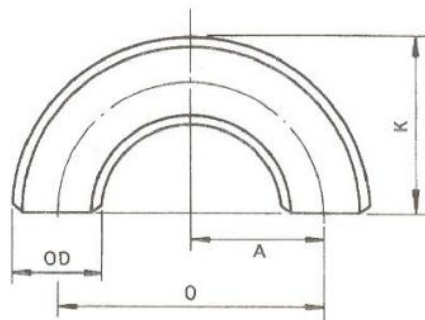
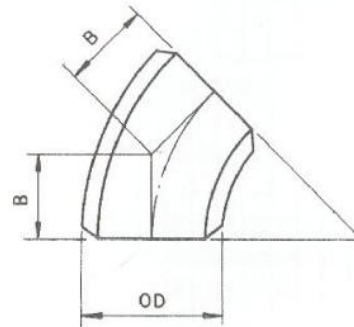
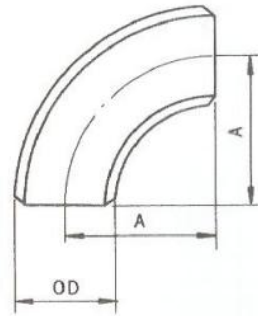


Long and short Radius Elbow
Long and short Return Elbow

Nominal Pipe Size NPS	Outside Diameter at Bevel OD	ASME B16.9 B16.28 Center-to-End Unit: mm			
		Long Radius Elbow		Short Radius Elbow	
		90 Deg. A	45Deg B	90 Deg. A	45 Deg. B
1/2"	21.3	38.1	15.7	-	-
3/4"	26.7	38.1	19.0	-	-
1"	33.4	38.1	22.4	25.4	-
1.1/4"	42.2	47.8	25.4	31.8	-
1.1/2"	48.3	57.2	28.4	38.1	-
2"	60.3	76.2	35.0	50.8	-
2.1/2"	73.0	95.2	44.4	63.5	-
3"	88.9	114.3	50.8	76.2	31.6
3.1/2"	101.6	113.4	57.2	88.9	36.8
4"	114.3	152.4	63.5	101.6	42.1
5"	141.3	190.5	79.2	127.0	52.6
6"	168.3	228.6	95.2	152.4	63.4
8"	219.1	304.8	127.0	203.2	84.2
10"	273.0	381.0	158.8	254.0	105.2
12"	323.8	457.2	190.5	304.8	126.3
14"	355.6	533.4	222.2	355.6	147.3
16"	406.4	609.6	254.0	406.4	168.3
18"	457.2	685.8	285.8	457.2	189.4
20"	508.0	762.0	317.5	508.0	210.4
22"	558.8	838.2	342.9	558.8	231.5
24"	609.6	914.4	381.0	609.6	252.5
26"	660.4	990.6	406.4	660.4	273.5
28"	711.2	1066.8	438.2	711.2	294.6
30"	762.0	1143.0	469.9	762.0	315.6
32"	812.8	1219.2	501.6	812.8	336.7
34"	863.6	1295.4	533.4	863.6	357.7
36"	914.4	1371.6	565.2	914.4	378.8
38"	965.2	1447.8	599.9	965.2	-
40"	1016.0	1524.0	632.0	1016.0	420.8
42"	1066.8	1600.2	660.4	1066.8	441.9
44"	1117.6	1676.4	695.4	1117.6	462.9
46"	1168.4	1752.6	726.9	1168.4	-
48"	1219.2	1828.8	759.0	1219.2	505.0
50"	1270.0	-	-	-	-
52"	1320.8	1982.0	821.0	1320.8	547.1
54"	1371.6	2057.4	852.2	1371.6	568.1
56"	1422.4	2133.6	883.8	1422.4	589.2
58"	1473.2	2210.0	915.0	-	-
60"	1524.0	2286.0	946.9	1524.0	631.3
62"	1574.8	-	-	-	-
64"	1625.6	2439.0	1010.0	-	-
66"	1676.4	2514.6	1041.6	-	-
68"	1727.2	2591.0	1073.0	-	-
70"	1778.0	-	-	-	-
72"	1828.8	2743.2	1136.0	-	841.7
76"	1930.0	2895	1200	-	-
78"	1981.0	2972	1231	-	-
80"	2032.0	3048	1262	-	-
84"	2134.0	3201	1325	-	-
100"	2540.0	3810	1578	-	-

Nominal Pipe Size NPS	Outside Diameter at Bevel OD	ASME B16.9 B16.28 Unit: mm			
		Long Radius Elbow		Short Radius Elbow	
		Center-to-center O	Back-to-Face K	Center-to-center O	Back-to-Face K
1/2"	21.3	76.2	47.8	-	-
3/4"	26.7	76.2	50.8	-	-
1"	33.4	76.2	55.6	50.8	41.1
1.1/4"	42.2	95.2	69.8	63.5	52.3
1.1/2"	48.3	114.3	82.6	76.2	62
2"	60.3	152.4	106.4	101.6	81
2.1/2"	73.0	190.5	131.8	127	100.1
3"	88.9	228.6	158.8	152.4	120.7
3.1/2"	101.6	266.7	184.2	177.8	139.7
4"	114.3	304.8	209.6	203.2	158.8
5"	141.3	381	261.9	254	196.9
6"	168.3	457.2	312.7	304.8	236.5
8"	219.1	609.6	414.3	406.4	312.7
10"	273.0	762	517.6	508	390.7



Factory Standard, size must be agreed by seller and buyer