



Cap

Stainless Steel Lap Joint Stub End

MSS SP 75
ASME B16.9

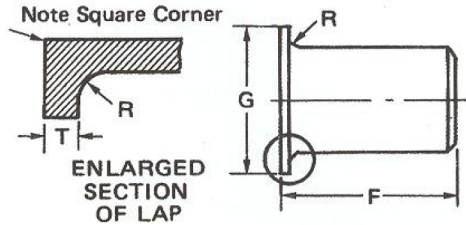
Unit: mm

Nominal Pipe Size NPS	Outside Diameter at Bevel OD	Length (2) E	Limiting Wall Thickness for Length E	Length (3) E1
1/2"	21.3	25.4	4.5	25.4
3/4"	26.7	25.4	3.8	25.4
1"	33.4	38.1	4.5	38.1
1.1/4"	42.2	38.1	4.8	38.1
1.1/2"	48.3	38.1	5	38.1
2"	60.3	38.1	5.5	44.4
2.1/2"	73	38.1	7.1	50.8
3"	88.9	50.8	7.6	63.5
3.1/2"	101.6	63.5	8.1	76.2
4"	114.3	63.5	8.6	76.2
5"	141.3	76.2	9.6	88.9
6"	168.3	88.9	10.9	101.6
8"	219.1	101.6	12.7	127
10"	273	127	12.7	152.4
12"	323.8	152.4	12.7	177.8
14"	355.6	165.1	12.7	190.5
16"	406.4	177.8	12.7	203.2
18"	457.2	203.2	12.7	228.6
20"	508	228.6	12.7	254
22"	558.8	254	12.7	254
24"	609.6	266.7	12.7	304.8
26"	66.4	266.7	-	-
28"	711.2	266.7	-	-
30"	762	266.7	-	-
32"	812.8	266.7	-	-
34"	863.6	266.7	-	-
36"	914.4	266.7	-	-
38"	965.2	304.8	-	-
40"	1016	304.8	-	-
42"	1066.8	304.8	-	-
44"	1117.6	342.9	-	-
46"	1168.4	342.9	-	-
48"	1219.2	342.9	-	-
64"	1626.0	445.0	-	-
66"	1676.0	457.0	-	-
68"	1727.0	469.0	-	-
72"	1829.0	495.0	-	-
76"	1930.0	521.0	-	-
78"	1981.0	533.0	-	-
80"	2032.0	546.0	-	-
84"	2134.0	571.0	-	-
100"	2540.0	673.0	-	-

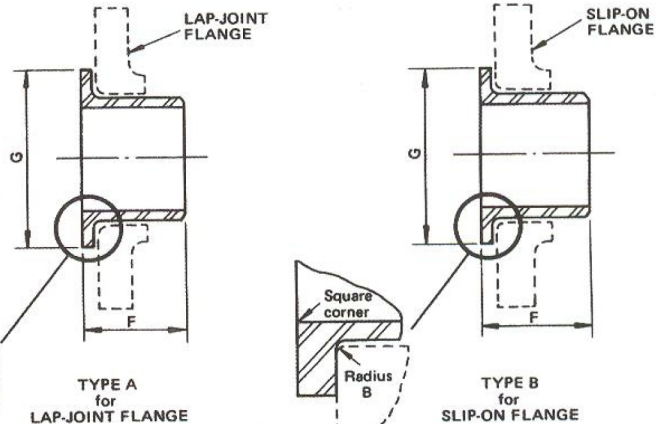
ASME B16.9
MSS SP 43

Unit: mm

NPS	Outside Diameter at Bevel	Outside Diameter of Barrel		Length F		Radius of Fillet R		Diameter of Lap G
		min	max	ASME (Long)	ASME (Short) & MSS	ASME & MSS Type A	MSS Type B	
1/2"	21.3	20.6	22.7	76.2	50.8	3.0	0.8	35
3/4"	26.7	25.9	28.0	76.2	50.8	3.0	0.8	42.9
1"	33.4	32.7	34.9	101.6	50.8	3.0	0.8	50.8
1.1/4"	42.2	41.4	43.5	101.6	50.8	4.8	0.8	63.5
1.1/2"	48.3	47.5	49.9	101.6	50.8	6.4	0.8	73.2
2"	60.3	59.6	62.3	152.4	63.5	7.9	0.8	91.9
2.1/2"	73.0	72.3	75.3	152.4	63.5	7.9	0.8	104.6
3"	88.9	88.2	91.3	152.4	63.5	9.7	0.8	127
3.1/2"	101.6	100.9	104.0	152.4	76.2	9.7	0.8	139.7
4"	114.3	113.6	116.7	152.4	76.2	11.2	0.8	157.2
5"	141.3	140.6	144.3	203.2	76.2	11.2	1.5	185.7
6"	168.3	167.5	171.3	203.2	88.9	12.7	1.5	215.9
8"	219.1	218.3	222.0	203.2	101.6	12.7	1.5	269.7
10"	273.0	272.3	277.1	254.0	127.0	12.7	1.5	323.9
12"	323.8	323.1	327.9	254.0	152.4	12.7	1.5	381
14"	355.6	354.9	359.9	304.8	152.4	12.7	1.5	412.8
16"	406.4	405.7	410.9	304.8	152.4	12.7	1.5	469.9
18"	457.2	456.5	462.0	304.8	152.4	12.7	1.5	533.4
20"	508.0	507.3	514.0	304.8	152.4	12.7	1.5	584.2
22"	558.8	558.1	564.8	304.8	152.4	12.7	1.5	641.4
24"	609.6	608.9	615.6	304.8	152.4	12.7	1.5	692.2



ASME B16.9



MSS SP-43

